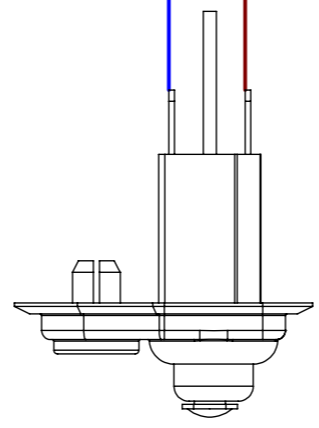
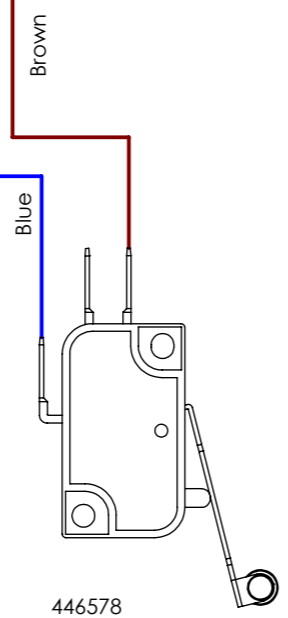


Connector " A "	
Pin N°	Description
1	open command
2	+ 12 V battery
3	D+
4	close chiusura
5	D+
6	(-) GND
7	COMMON PUSH-BUTTON
8	--

Connector " B "	
Pin N°	Description
1	black wire (motor)
3	red wire (motor)



446578

479499